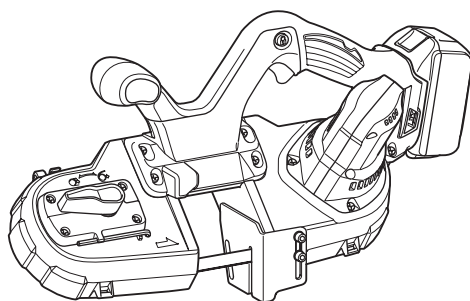


INSTRUCTION MANUAL
MANUEL D'INSTRUCTION
MANUAL DE INSTRUCCIONES



Cordless Portable Band Saw Scie à Ruban Portative sans Fil Sierra de Banda Portátil Inalámbrica

DPB181



IMPORTANT: Read Before Using.

IMPORTANT : Lire avant usage.

IMPORTANTE: Lea antes de usar.

SPECIFICATIONS

Model		DPB181	
Max. cutting capacity	Round workpiece	64 mm (2-1/2") dia.	
	Rectangular workpiece	64 mm x 64 mm (2-1/2" x 2-1/2")	
Blade speed		3.2 m/s (630 ft/min)	
Blade size	Length	835 mm (32-7/8")	
	Width	13 mm (1/2")	
	Thickness	0.5 mm (0.020")	
Overall dimensions (L x W x H) without wheel cover		468 mm x 197 mm x 233 mm (18-1/2" x 7-3/4" x 9-1/8")	
Net weight without wheel cover		3.2 kg (7.1 lbs)	3.4 kg (7.5 lbs)
Rated voltage		D.C. 18 V	
Standard battery cartridges		BL1815N/ BL1820/ BL1820B	BL1830/ BL1830B/ BL1840/ BL1840B/ BL1850/ BL1850B/ BL1860B

- Due to our continuing program of research and development, the specifications herein are subject to change without notice.
- Specifications and battery cartridge may differ from country to country.
- Weight, with battery cartridge, according to EPTA-Procedure 01/2003

General Power Tool Safety Warnings

⚠ WARNING Read all safety warnings and all instructions. Failure to follow the warnings and instructions may result in electric shock, fire and/or serious injury.

Save all warnings and instructions for future reference.

The term "power tool" in the warnings refers to your mains-operated (corded) power tool or battery-operated (cordless) power tool.

Work area safety

1. **Keep work area clean and well lit.** Cluttered or dark areas invite accidents.
2. **Do not operate power tools in explosive atmospheres, such as in the presence of flammable liquids, gases or dust.** Power tools create sparks which may ignite the dust or fumes.
3. **Keep children and bystanders away while operating a power tool.** Distractions can cause you to lose control.

Electrical safety

4. **Power tool plugs must match the outlet. Never modify the plug in any way. Do not use any adapter plugs with earthed (grounded) power tools.** Unmodified plugs and matching outlets will reduce risk of electric shock.
5. **Avoid body contact with earthed or grounded surfaces such as pipes, radiators, ranges and refrigerators.** There is an increased risk of electric shock if your body is earthed or grounded.
6. **Do not expose power tools to rain or wet conditions.** Water entering a power tool will increase the risk of electric shock.
7. **Do not abuse the cord. Never use the cord for carrying, pulling or unplugging the power tool. Keep cord away from heat, oil, sharp edges or moving parts.** Damaged or entangled cords increase the risk of electric shock.

8. **When operating a power tool outdoors, use an extension cord suitable for outdoor use.** Use of a cord suitable for outdoor use reduces the risk of electric shock.
9. **If operating a power tool in a damp location is unavoidable, use a ground fault circuit interrupter (GFCI) protected supply.** Use of an GFCI reduces the risk of electric shock.

Personal safety

10. **Stay alert, watch what you are doing and use common sense when operating a power tool. Do not use a power tool while you are tired or under the influence of drugs, alcohol or medication.** A moment of inattention while operating power tools may result in serious personal injury.
11. **Use personal protective equipment. Always wear eye protection.** Protective equipment such as dust mask, non-skid safety shoes, hard hat, or hearing protection used for appropriate conditions will reduce personal injuries.
12. **Prevent unintentional starting. Ensure the switch is in the off-position before connecting to power source and/or battery pack, picking up or carrying the tool.** Carrying power tools with your finger on the switch or energising power tools that have the switch on invites accidents.
13. **Remove any adjusting key or wrench before turning the power tool on.** A wrench or a key left attached to a rotating part of the power tool may result in personal injury.
14. **Do not overreach. Keep proper footing and balance at all times.** This enables better control of the power tool in unexpected situations.
15. **Dress properly. Do not wear loose clothing or jewellery. Keep your hair, clothing, and gloves away from moving parts.** Loose clothes, jewellery or long hair can be caught in moving parts.
16. **If devices are provided for the connection of dust extraction and collection facilities, ensure these are connected and properly used.** Use of dust collection can reduce dust-related hazards.

Power tool use and care

17. **Do not force the power tool. Use the correct power tool for your application.** The correct power tool will do the job better and safer at the rate for which it was designed.
18. **Do not use the power tool if the switch does not turn it on and off.** Any power tool that cannot be controlled with the switch is dangerous and must be repaired.
19. **Disconnect the plug from the power source and/or the battery pack from the power tool before making any adjustments, changing accessories, or storing power tools.** Such preventive safety measures reduce the risk of starting the power tool accidentally.
20. **Store idle power tools out of the reach of children and do not allow persons unfamiliar with the power tool or these instructions to operate the power tool.** Power tools are dangerous in the hands of untrained users.
21. **Maintain power tools. Check for misalignment or binding of moving parts, breakage of parts and any other condition that may affect the power tool's operation. If damaged, have the power tool repaired before use.** Many accidents are caused by poorly maintained power tools.
22. **Keep cutting tools sharp and clean.** Properly maintained cutting tools with sharp cutting edges are less likely to bind and are easier to control.
23. **Use the power tool, accessories and tool bits etc. in accordance with these instructions, taking into account the working conditions and the work to be performed.** Use of the power tool for operations different from those intended could result in a hazardous situation.

Battery tool use and care

24. **Recharge only with the charger specified by the manufacturer.** A charger that is suitable for one type of battery pack may create a risk of fire when used with another battery pack.
25. **Use power tools only with specifically designated battery packs.** Use of any other battery packs may create a risk of injury and fire.
26. **When battery pack is not in use, keep it away from other metal objects, like paper clips, coins, keys, nails, screws or other small metal objects, that can make a connection from one terminal to another.** Shorting the battery terminals together may cause burns or a fire.
27. **Under abusive conditions, liquid may be ejected from the battery; avoid contact. If contact accidentally occurs, flush with water. If liquid contacts eyes, additionally seek medical help.** Liquid ejected from the battery may cause irritation or burns.

Service

28. **Have your power tool serviced by a qualified repair person using only identical replacement parts.** This will ensure that the safety of the power tool is maintained.
29. **Follow instruction for lubricating and changing accessories.**
30. **Keep handles dry, clean and free from oil and grease.**

CORDLESS PORTABLE BAND SAW SAFETY WARNINGS

1. **Hold power tool by insulated gripping surfaces, when performing an operation where the cutting accessory may contact hidden wiring.** Cutting accessories contacting a "live" wire may make exposed metal parts of the power tool "live" and could give the operator an electric shock.
2. **Use only blades which are listed in "SPECIFICATIONS".**
3. **Check the blade carefully for cracks or damage before operation. Replace cracked or damaged blade immediately.**
4. **Secure the workpiece firmly. When cutting a bundle of workpieces, be sure that all workpieces are secured together firmly before cutting.**
5. **Cutting workpieces covered with oil can cause the blade to come off unexpectedly. Wipe off all excess oil from workpieces before cutting.**
6. **Never use the cutting oil as a cutting lubricant. Use only Makita cutting wax.**
7. **Do not wear gloves during operation.**
8. **Hold the tool firmly with both hands.**
9. **Keep hands away from rotating parts.**
10. **When cutting metal, be cautious of hot flying chips.**
11. **Do not leave the tool running unattended.**
12. **Do not touch the blade or the workpiece immediately after operation; they may be extremely hot and could burn your skin.**

SAVE THESE INSTRUCTIONS.

⚠WARNING: DO NOT let comfort or familiarity with product (gained from repeated use) replace strict adherence to safety rules for the subject product. **MISUSE** or failure to follow the safety rules stated in this instruction manual may cause serious personal injury.

Symbols

The followings show the symbols used for tool.

v	volts
—	direct current
n	rated speed
n ₀	no load speed
... /min r/min	revolutions or reciprocation per minute

IMPORTANT SAFETY INSTRUCTIONS

FOR BATTERY CARTRIDGE

1. Before using battery cartridge, read all instructions and cautionary markings on (1) battery charger, (2) battery, and (3) product using battery.
2. Do not disassemble battery cartridge.
3. If operating time has become excessively shorter, stop operating immediately. It may result in a risk of overheating, possible burns and even an explosion.
4. If electrolyte gets into your eyes, rinse them out with clear water and seek medical attention right away. It may result in loss of your eyesight.
5. Do not short the battery cartridge:
 - (1) Do not touch the terminals with any conductive material.
 - (2) Avoid storing battery cartridge in a container with other metal objects such as nails, coins, etc.
 - (3) Do not expose battery cartridge to water or rain. A battery short can cause a large current flow, overheating, possible burns and even a breakdown.
6. Do not store the tool and battery cartridge in locations where the temperature may reach or exceed 50°C (122°F).
7. Do not incinerate the battery cartridge even if it is severely damaged or is completely worn out. The battery cartridge can explode in a fire.
8. Be careful not to drop or strike battery.
9. Do not use a damaged battery.
10. The contained lithium-ion batteries are subject to the Dangerous Goods Legislation requirements. For commercial transports e.g. by third parties, forwarding agents, special requirement on packaging and labeling must be observed. For preparation of the item being shipped, consulting an expert for hazardous material is required. Please also observe possibly more detailed national regulations. Tape or mask off open contacts and pack up the battery in such a manner that it cannot move around in the packaging.
11. Follow your local regulations relating to disposal of battery.

SAVE THESE INSTRUCTIONS.

CAUTION: Only use genuine Makita batteries. Use of non-genuine Makita batteries, or batteries that have been altered, may result in the battery bursting causing fires, personal injury and damage. It will also void the Makita warranty for the Makita tool and charger.

Tips for maintaining maximum battery life

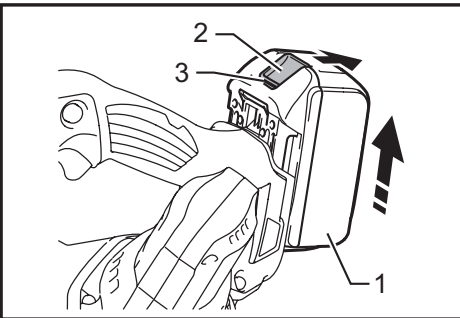
1. Charge the battery cartridge before completely discharged. Always stop tool operation and charge the battery cartridge when you notice less tool power.
2. Never recharge a fully charged battery cartridge. Overcharging shortens the battery service life.
3. Charge the battery cartridge with room temperature at 10°C - 40°C (50°F - 104°F). Let a hot battery cartridge cool down before charging it.
4. Charge the battery cartridge if you do not use it for a long period (more than six months).

FUNCTIONAL DESCRIPTION

CAUTION:

- Always be sure that the tool is switched off and the battery cartridge is removed before adjusting or checking function on the tool.

Installing or removing battery cartridge



▶ 1. Battery cartridge 2. Button 3. Red indicator

CAUTION:

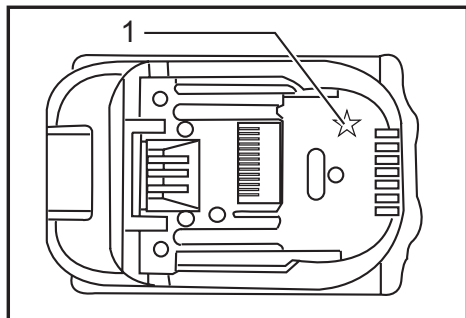
- Always switch off the tool before installing or removing of the battery cartridge.
- **Hold the tool and the battery cartridge firmly when installing or removing battery cartridge.** Failure to hold the tool and the battery cartridge firmly may cause them to slip off your hands and result in damage to the tool and battery cartridge and a personal injury.

To remove the battery cartridge, slide it from the tool while sliding the button on the front of the cartridge. To install the battery cartridge, align the tongue on the battery cartridge with the groove in the housing and slip it into place. Insert it all the way until it locks in place with a little click. If you can see the red indicator on the upper side of the button, it is not locked completely.

CAUTION:

- Always install the battery cartridge fully until the red indicator cannot be seen. If not, it may accidentally fall out of the tool, causing injury to you or someone around you.
- Do not install the battery cartridge forcibly. If the cartridge does not slide in easily, it is not being inserted correctly.

Battery protection system (Lithium-ion battery with star marking)



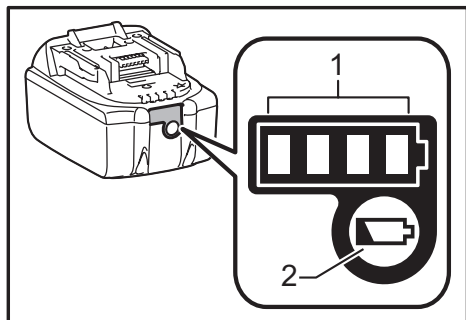
► 1. Star marking

Lithium-ion batteries with a star marking are equipped with a protection system. This system automatically cuts off power to the tool to extend battery life. The tool will automatically stop during operation if the tool and/or battery are placed under one of the following conditions:

- **Overloaded:**
The tool is operated in a manner that causes it to draw an abnormally high current. In this situation, release the switch trigger on the tool and stop the application that caused the tool to become overloaded. Then pull the switch trigger again to restart. If the tool does not start, the battery is overheated. In this situation, let the battery cool before pulling the switch trigger again.
- **Low battery voltage:**
The remaining battery capacity is too low and the tool will not operate. In this situation, remove and recharge the battery.

Indicating the remaining battery capacity

(Only for battery cartridges with "B" at the end of the model number.)



► 1. Indicator lamps 2. CHECK button

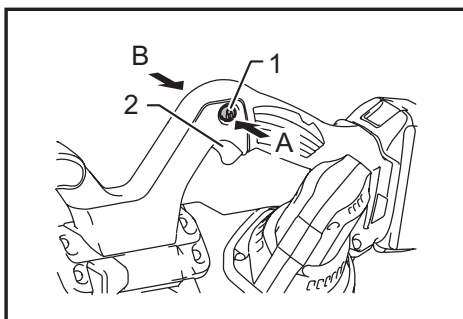
Press the check button on the battery cartridge to indicate the remaining battery capacity. The indicator lamps light up for few seconds.

Indicator lamps			Remaining capacity
Lighted	Off	Blinking	
■ ■ ■ ■			75% to 100%
■ ■ ■ □			50% to 75%
■ ■ □ □			25% to 50%
■ □ □ □			0% to 25%
▣ □ □ □			Charge the battery.
■ ■ □ □			The battery may have malfunctioned.
□ □ ■ ■			

NOTE:

- Depending on the conditions of use and the ambient temperature, the indication may differ slightly from the actual capacity.

Switch action



► 1. Trigger-lock button 2. Switch trigger

CAUTION:

- Before installing the battery cartridge into the tool, always check to see that the switch trigger actuates properly and returns to the "OFF" position when released.

To prevent the switch trigger from accidentally pulled, the trigger-lock button is provided.

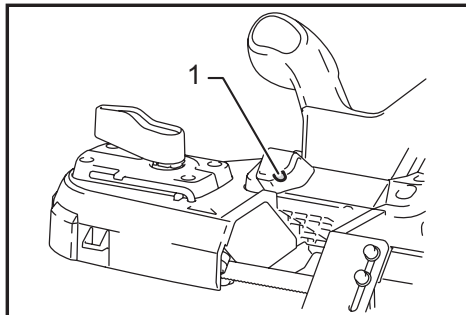
To start the tool, press the trigger-lock button from B side and pull the switch trigger.

Release the switch trigger to stop. After use, always press in the trigger-lock button from A side.

Lighting up the lamp

⚠ CAUTION:

- Do not look in the light or see the source of light directly.

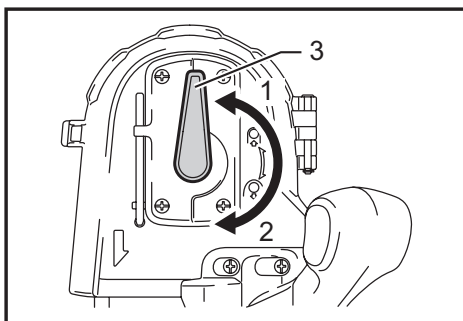


► 1. Lamp

Pull the switch trigger to light up the lamp. The lamp keeps on lighting while the switch trigger is being pulled. The lamp goes out just after releasing the trigger.

NOTICE:

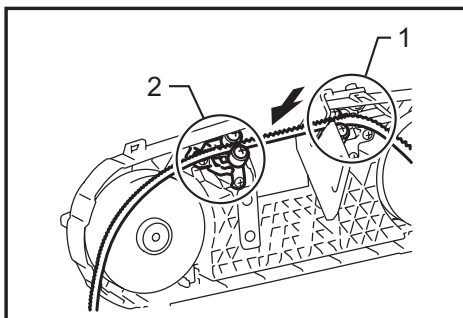
- Do not apply impact to the lamp, which may cause damage or shorten service time to it.
- Use a dry cloth to wipe the dirt off the lens of lamp. Be careful not to scratch the lens of lamp, or it may lower the illumination.
- Do not use thinner or gasoline to clean the lamp. Such solvents may damage it.



► 1. Tighten 2. Loosen 3. Lever

To install the blade:

1. Turn the blade tightening lever clockwise until it stops to loosen the wheel.
2. Match the direction of the arrows on the blade and on the wheels.



► 1. Lower holder 2. Upper holder

ASSEMBLY

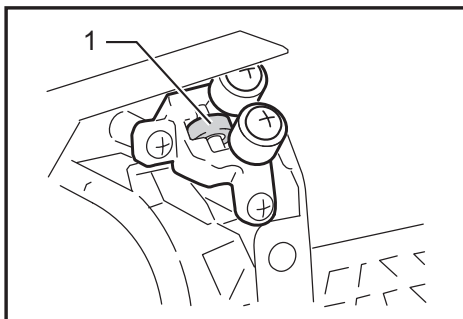
⚠ CAUTION:

- Always be sure that the tool is switched off and the battery cartridge is removed before carrying out any work on the tool.

Installing or removing the blade

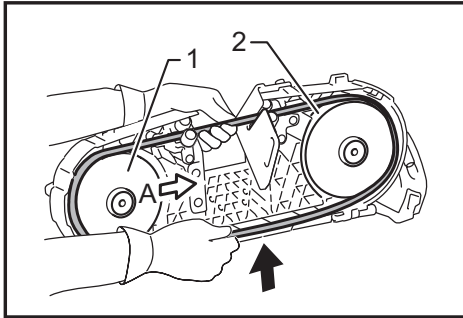
⚠ CAUTION:

- Oil on the blade can cause the blade to slip or come off unexpectedly. Wipe off all excess oil with a cloth before installing the blade.
- Always wear protective gloves when handling the blade.
- Use caution when handling the blade to avoid cut by the sharp edge of the blade teeth.
- Keep your body away from the blade area when checking the blade movement.
- When turning the blade tightening lever clockwise to release the tension on the blade, point the tool downward because the blade may come off unexpectedly.



► 1. Bottom bearing

3. Insert the non-serrated side of the blade into the upper holder and lower holder. Make sure the blade in both upper and lower holder touches to the bottom bearings.



► 1. Wheel 2. Rubber tire

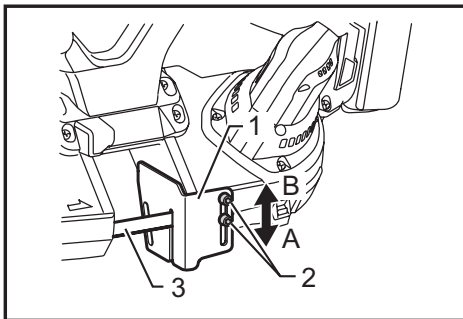
4. With pressing the middle part of the blade, position the blade around one wheel. Moving the wheel to A side makes it easier to do so.
5. Position the blade on another wheel similarly.
6. Position the edge of the blade on rubber tire.
7. Hold the blade in place and turn the blade-tightening lever counterclockwise until it stops. This places proper tension on the blade.

Make sure that the blade is correctly positioned around the wheels.

Start and stop the tool two or three times to make sure that the blade runs properly on the wheels.

To remove the blade, follow the installation procedure in reverse.

Adjusting the stopper plate position



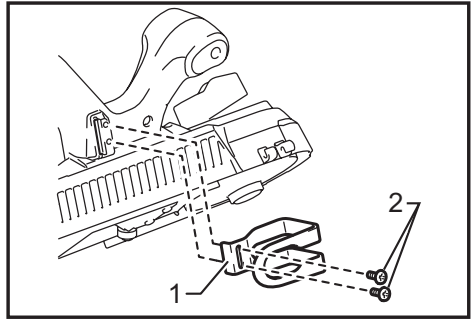
► 1. Stopper plate 2. Screws 3. Blade

In the ordinary operation, protrude the stopper plate to the A side fully.

When the stopper plate strikes against the obstacles like a wall or the like at the finishing of a cut, loosen two screws and slide it to the B side in the figure.

After sliding the stopper plate, secure it by tightening two screws firmly.

Hook (Optional accessory)



► 1. Hook 2. Screws

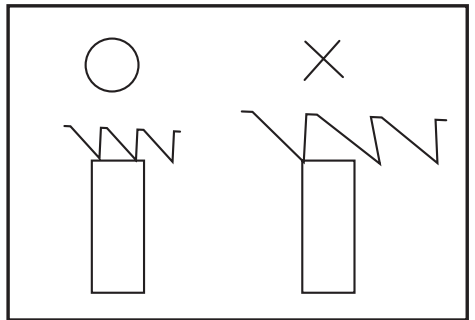
Hook is useful for hanging the tool. Hang tool on a pipe vice or other suitable, stable structure.

To install the hook, set the hook alongside the groove and tighten it with two screws.

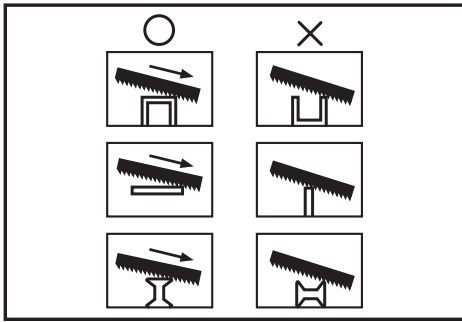
OPERATION

⚠ CAUTION:

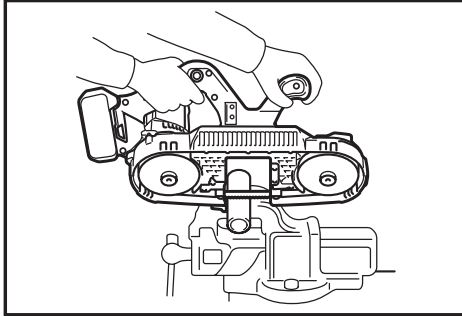
- Always hold front and rear handle. Never hold the tool body or guards. Hands may slip from these locations and contact blade. Contact with the blade may result in personal injury.
- Make sure to hold the tool firmly when turning on or off the tool or when cutting. Otherwise the tool may fall and cause personal injury.



For stable cut, always keep at least two teeth in the cut.



Select the proper cutting position for your workpiece by referring to the figure.



Hold the tool with both hands as shown in the figure. Before turning on the tool, always make sure that the stopper plate contacts the workpiece and the blade is clear of the workpiece.

Turn the tool on and wait until the blade attains full speed. Gently lower the blade into the cut. The weight of the tool or slightly pressing the tool will supply adequate pressure for the cutting. Do not force the tool. As you reach the end of a cut, release pressure and lift it slightly so that it will not fall against the workpiece.

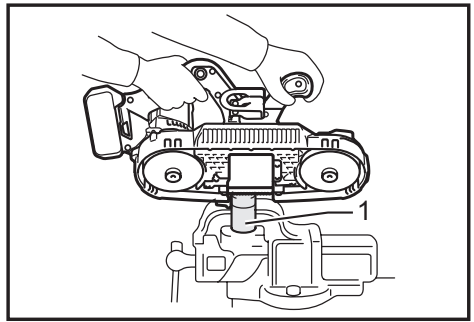
NOTICE:

- Applying excessive pressure to the tool or twisting of the blade may cause bevel cutting or damage to the blade.
- When not using the tool for a long period of time, remove the blade from the tool.
- If the tool is operated continuously until the battery cartridge has discharged, allow the tool to rest for 15 minutes before proceeding with a fresh battery.

Cutting lubricant

CAUTION:

- Never use cutting oil or apply excessive amount of wax to the blade. It may cause the blade to slip or come off unexpectedly.
- When cutting cast iron, do not use any cutting wax.



► 1. Cutting wax

When cutting metals, use Makita cutting wax as a cutting lubricant. To apply the cutting wax to the blade teeth, remove a cap of the cutting wax, start the tool and cut into the cutting wax as shown in the figure.

MAINTENANCE

CAUTION:

- Always be sure that the tool is switched off and the battery cartridge is removed before attempting to perform inspection or maintenance.

Cleaning

CAUTION:

- Never use gasoline, benzine, thinner, alcohol or the like. Discoloration, deformation or cracks may result.
- Wax and chips on the tires may cause the blade to slip and come off unexpectedly. Use a dry cloth to remove wax and chips from the tires.

After use, remove wax, chips and dust from the tool, wheel tires and blade.

Replacing tires on wheels

Replace the tires when the blade slips or does not track properly because of badly worn tires.

To maintain product SAFETY and RELIABILITY, repairs, any other maintenance or adjustment should be performed by Makita Authorized or Factory Service Centers, always using Makita replacement parts.

OPTIONAL ACCESSORIES

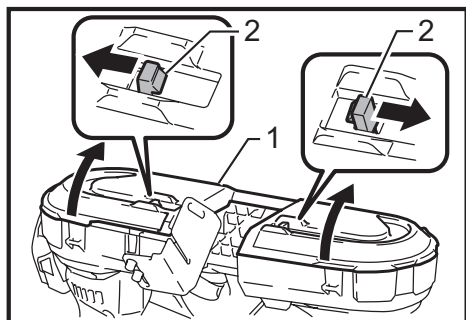
⚠ CAUTION:

- These accessories or attachments are recommended for use with your Makita tool specified in this manual. The use of any other accessories or attachments might present a risk of injury to persons. Only use accessory or attachment for its stated purpose.

If you need any assistance for more details regarding these accessories, ask your local Makita Service Center.

- Makita genuine battery and charger
- Band saw blades
- Hex wrench 4
- Cutting wax
- Hook
- Wheel cover

NOTICE: When opening the wheel cover, open and release both the hooks simultaneously. Opening only one hook may cause crack on the wheel cover.



► 1. Wheel cover 2. Hook

NOTE:

- Some items in the list may be included in the tool package as standard accessories. They may differ from country to country.

MAKITA LIMITED WARRANTY

Please refer to the annexed warranty sheet for the most current warranty terms applicable to this product. If annexed warranty sheet is not available, refer to the warranty details set forth at below website for your respective country.

United States of America: www.makitatools.com

Canada: www.makita.ca

Other countries: www.makita.com

SPÉCIFICATIONS

Modèle		DPB181	
Capacité de coupe max.	Pièce ronde	Diam. 64 mm (2-1/2")	
	Pièce rectangulaire	64 mm x 64 mm (2-1/2" x 2-1/2")	
Vitesse de la lame		3,2 m/s (630 pi/min)	
Format de lame	Longueur	835 mm (32-7/8")	
	Largeur	13 mm (1/2")	
	Épaisseur	0,5 mm (0,020")	
Dimensions totales (L x P x H) sans capot du disque		468 mm x 197 mm x 233 mm (18-1/2" x 7-3/4" x 9-1/8")	
Poids net sans capot du disque		3,2 kg (7,1 lbs)	3,4 kg (7,5 lbs)
Tension nominale		C.C. 18 V	
Batteries standard		BL1815N/ BL1820/ BL1820B	BL1830/ BL1830B/ BL1840/ BL1840B/ BL1850/ BL1850B/ BL1860B

- Étant donné l'évolution constante de notre programme de recherche et de développement, les spécifications contenues dans ce manuel sont sujettes à modification sans préavis.
- Les caractéristiques techniques et la batterie peuvent varier suivant les pays.
- Poids, batterie comprise, conforme à la procédure EPTA de 01/2003

Consignes de sécurité générales pour outils électriques

⚠ MISE EN GARDE Veuillez lire toutes les mises en garde de sécurité et toutes les instructions. L'ignorance des mises en garde et des instructions comporte un risque de choc électrique, d'incendie et/ou de blessure grave.

Conservez toutes les mises en garde et instructions pour référence future.

Le terme « outil électrique » qui figure dans les avertissements fait référence à un outil électrique branché sur une prise de courant (par un cordon d'alimentation) ou alimenté par batterie (sans fil).

Sécurité de la zone de travail

1. **Maintenez la zone de travail propre et bien éclairée.** Les zones de travail encombrées ou sombres ouvrent grande la porte aux accidents.
2. **N'utilisez pas les outils électriques dans les atmosphères explosives, par exemple en présence de liquides, gaz ou poussières inflammables.** Les outils électriques produisent des étincelles au contact desquelles la poussière ou les vapeurs peuvent s'enflammer.
3. **Assurez-vous qu'aucun enfant ou curieux ne s'approche pendant que vous utilisez un outil électrique.** Vous risquez de perdre la maîtrise de l'outil si votre attention est détournée.

Sécurité en matière d'électricité

4. **Les fiches d'outil électrique sont conçues pour s'adapter parfaitement aux prises de courant. Ne modifiez jamais la fiche de quelque façon que ce soit. N'utilisez aucun adaptateur de fiche sur les outils électriques avec mise à la terre.** En ne modifiant pas les fiches et en les insérant dans des prises de courant pour lesquelles elles ont été conçues vous réduirez les risques de choc électrique.

5. **Évitez tout contact corporel avec les surfaces mises à la terre, telles que les tuyaux, radiateurs, cuisinières et réfrigérateurs.** Le risque de choc électrique est plus élevé si votre corps se trouve mis à la terre.
6. **N'exposez pas les outils électriques à la pluie ou à l'eau.** La présence d'eau dans un outil électrique augmente le risque de choc électrique.
7. **Ne maltraitez pas le cordon. N'utilisez jamais le cordon pour transporter, tirer ou débrancher l'outil électrique. Maintenez le cordon à l'écart des sources de chaleur, de l'huile, des objets à bords tranchants et des pièces en mouvement.** Le risque de choc électrique est plus élevé lorsque les cordons sont endommagés ou enchevêtrés.
8. **Lorsque vous utilisez un outil électrique à l'extérieur, utilisez un cordon prolongateur prévu à cette fin.** Les risques de choc électrique sont moindres lorsqu'un cordon conçu pour l'extérieur est utilisé.
9. **Si vous devez utiliser un outil électrique dans un endroit humide, utilisez une source d'alimentation protégée par un disjoncteur de fuite à la terre.** L'utilisation d'un disjoncteur de fuite à la terre réduit le risque de choc électrique.

Sécurité personnelle

10. **Restez alerte, attentif à vos mouvements et faites preuve de bon sens lorsque vous utilisez un outil électrique.** Évitez d'utiliser un outil électrique si vous êtes fatigué ou si vous avez pris une drogue, de l'alcool ou un médicament. Un moment d'inattention pendant l'utilisation d'un outil électrique peut entraîner une grave blessure.
11. **Portez des dispositifs de protection personnelle. Portez toujours un protecteur pour la vue.** Les risques de blessure seront moins élevés si vous utilisez des dispositifs de protection tels qu'un masque antipoussières, des chaussures à semelle antidérapante, une coiffure résistante ou une protection d'oreilles.

12. **Évitez les démarrages accidentels. Assurez-vous que l'interrupteur soit en position d'arrêt avant de brancher l'outil à la prise électrique et/ou au bloc-piles, avant de prendre ou de transporter l'outil.** Vous ouvrez la porte aux accidents si vous transportez les outils électriques avec le doigt sur l'interrupteur ou si vous les branchez alors que l'interrupteur est en position de marche.
13. **Retirez toute clé de réglage ou de serrage avant de mettre l'outil sous tension.** Toute clé laissée en place sur une pièce rotative de l'outil électrique peut entraîner une blessure.
14. **Maintenez une bonne position. Assurez-vous d'une bonne prise au sol et d'une bonne position d'équilibre en tout temps.** Cela vous permettra d'avoir une meilleure maîtrise de l'outil dans les situations imprévues.
15. **Portez des vêtements adéquats. Ne portez ni vêtements amples ni bijoux. Vous devez maintenir cheveux, vêtements et gants à l'écart des pièces en mouvement.** Les pièces en mouvement peuvent happer les vêtements amples, les bijoux et les cheveux longs.
16. **Si des accessoires sont fournis pour raccorder un appareil d'aspiration et de collecte de la poussière, assurez-vous qu'ils sont correctement raccordés et qu'ils sont utilisés de manière adéquate.** L'utilisation d'un appareil d'aspiration permet de réduire les risques liés à la présence de poussière dans l'air.

Utilisation et entretien des outils électriques

17. **Ne forcez pas l'outil électrique. Utilisez l'outil électrique adéquat suivant le type de travail à effectuer.** Si vous utilisez l'outil électrique adéquat et respectez le régime pour lequel il a été conçu, il effectuera un travail de meilleure qualité et de façon plus sécuritaire.
18. **N'utilisez pas l'outil électrique s'il n'est pas possible de mettre sa gâchette en position de marche et d'arrêt.** Un outil électrique dont l'interrupteur est défectueux représente un danger et doit être réparé.
19. **Débranchez la fiche de la source d'alimentation et/ou retirez le bloc-piles de l'outil électrique avant d'effectuer tout réglage, de changer un accessoire ou de ranger l'outil électrique.** De telles mesures préventives réduisent les risques de démarrage accidentel de l'outil électrique.
20. **Après l'utilisation d'un outil électrique, rangez-le hors de portée des enfants et ne laissez aucune personne l'utiliser si elle n'est pas familiarisée avec l'outil électrique ou les présentes instructions d'utilisation.** Les outils électriques représentent un danger entre les mains de personnes qui n'en connaissent pas le mode d'utilisation.
21. **Veillez à l'entretien des outils électriques. Assurez-vous que les pièces mobiles ne sont pas désalignées ou coincées, qu'aucune pièce n'est cassée et que l'outil électrique n'a subi aucun dommage affectant son bon fonctionnement. Le cas échéant, faites réparer l'outil électrique avant de l'utiliser.** De nombreux accidents sont causés par des outils électriques mal entretenus.
22. **Maintenez les outils tranchants bien aiguisés et propres.** Un outil tranchant dont l'entretien est effectué correctement et dont les bords sont bien aiguisés risque moins de se coincer et sera plus facile à maîtriser.

23. **Utilisez l'outil électrique, ses accessoires, ses embouts, etc., en respectant les présentes instructions, en tenant compte des conditions de travail et du type de travail à effectuer.** L'utilisation d'un outil électrique à des fins autres que celles prévues peut entraîner une situation dangereuse.
- Utilisation et entretien des outils alimentés par batterie**
24. **Pour recharger, utilisez uniquement le chargeur spécifié par le fabricant.** L'utilisation d'un chargeur conçu pour un type donné de bloc-piles comporte un risque d'incendie lorsqu'il est utilisé avec un autre type de bloc-piles.
 25. **N'utilisez un outil électrique qu'avec le bloc-piles conçu spécifiquement pour cet outil.** Il y a risque de blessure ou d'incendie si un autre bloc-piles est utilisé.
 26. **Lorsque vous n'utilisez pas le bloc-piles, rangez-le à l'écart des objets métalliques tels que trombones, pièces de monnaie, clés, clous, vis ou autres petits objets métalliques qui risquent d'établir une connexion entre les bornes.** La mise en court-circuit des bornes de batterie peut causer des brûlures ou un incendie.
 27. **Dans des conditions d'utilisation inadéquates de la batterie, il peut y avoir fuite d'électrolyte; évitez tout contact avec ce liquide. En cas de contact accidentel, rincez avec beaucoup d'eau. Si le liquide pénètre dans vos yeux, il faut aussi consulter un médecin.** L'électrolyte qui s'échappe de la batterie peut causer des irritations ou des brûlures.

Réparation

28. **Faites réparer votre outil électrique par un réparateur qualifié qui utilise des pièces de rechange identiques aux pièces d'origine.** Le maintien de la sûreté de l'outil électrique sera ainsi assuré.
29. **Suivez les instructions de lubrification et de changement des accessoires.**
30. **Maintenez les poignées de l'outil sèches, propres et exemptes d'huile ou de graisse.**

CONSIGNES DE SÉCURITÉ POUR LA SCIE À RUBAN PORTATIVE SANS FIL

1. **Tenez l'outil électrique par ses surfaces de prise isolées lors de toute opération où l'accessoire de coupe pourrait venir en contact avec un câblage dissimulé.** En cas de contact avec un conducteur sous tension, les pièces métalliques à découvert de l'outil deviendraient également sous tension et risqueraient de transmettre une décharge à l'utilisateur.
2. **N'utilisez que des lames référencées dans la rubrique « CARACTÉRISTIQUES ».**
3. **Avant l'utilisation, assurez-vous que la lame ne comporte aucune fissure et qu'elle n'est pas endommagée. Remplacez immédiatement toute lame fissurée ou endommagée.**
4. **Fixez la pièce à travailler solidement. Lorsque vous coupez plusieurs pièces à la fois, assurez-vous qu'elles sont solidement fixées les unes aux autres avant de procéder à la coupe.**
5. **La lame risque de détacher de manière inattendue si vous coupez des pièces recouvertes d'huile. Essayez tout excès d'huile présent sur les pièces avant de les couper.**

6. Ne jamais utiliser d'huile de coupe comme lubrifiant de coupe. Utilisez exclusivement la cire à coupe Makita.
 7. Ne portez pas de gants pour utiliser l'outil.
 8. Tenez l'outil fermement à deux mains.
 9. Gardez les mains éloignées des pièces en rotation.
 10. Lorsque vous coupez du métal, prenez garde aux projections de copeaux chauds.
 11. Ne laissez pas l'outil tourner sans surveillance.
 12. Ne touchez ni la lame ni la pièce immédiatement après la coupe. Elles risquent d'être extrêmement chaudes et de vous brûler la peau.
5. Ne court-circuitez pas la batterie :
 - (1) Ne touchez les bornes avec aucun matériau conducteur.
 - (2) Évitez de ranger la batterie dans un conteneur avec d'autres objets métalliques, par exemple des clous, des pièces de monnaie, etc.
 - (3) Évitez d'exposer la batterie à l'eau ou à la pluie. Un court-circuit de la batterie pourrait provoquer un fort courant, une surchauffe, parfois des brûlures et même une panne.
 6. Ne rangez pas l'outil ou la batterie dans des endroits où la température risque d'atteindre ou de dépasser 50°C (122°F).
 7. Ne jetez pas la batterie au feu même si elle est sérieusement endommagée ou complètement épuisée. La batterie peut exploser au contact du feu.
 8. Prenez garde d'échapper ou de heurter la batterie.
 9. N'utilisez pas une batterie si elle est endommagée.
 10. Les batteries au lithium-ion contenues sont soumises aux exigences des lois applicables concernant les matières dangereuses. Pour le transport commercial, p. ex. par des entreprises de transport tiers, il est nécessaire de respecter certaines mesures particulières ayant trait à l'emballage et à l'étiquetage. L'assistance d'un expert en matières dangereuses est requise pour la préparation de l'article à expédier. Veuillez également vous conformer aux réglementations nationales en vigueur qui pourraient être plus détaillées. Masquez les contacts découverts ou couvrez-les de ruban, et emballez la batterie de façon à ce qu'elle ne puisse se déplacer à l'intérieur du paquet.

CONSERVEZ CE MODE D'EMPLOI.

⚠ MISE EN GARDE : NE VOUS LAISSEZ PAS tromper (au fil d'une utilisation répétée) par un sentiment d'aisance ou de familiarité avec le produit en négligeant les consignes de sécurité qui accompagnent le produit. L'utilisation non sécuritaire ou incorrecte de cet outil comporte un risque de blessure grave.

Symboles

Les symboles utilisés pour l'outil sont indiqués ci-dessous.

V	volts
— — —	courant continu
n	vitesse nominale
n ₀	vitesse à vide
... /min r /min	tours ou alternances par minute

CONSIGNES DE SÉCURITÉ IMPORTANTES

POUR LA BATTERIE

1. Avant d'utiliser la batterie, lisez toutes les instructions et précautions relatives (1) au chargeur de batterie, (2) à la batterie, et (3) à l'outil utilisant la batterie.
2. Ne démontez pas la batterie.
3. Cessez immédiatement l'utilisation si le temps de fonctionnement devient excessivement court. Il y a risque de surchauffe, de brûlures, voire d'explosion.
4. Si l'électrolyte pénètre dans vos yeux, rincez-les à l'eau claire et consultez immédiatement un médecin. Il y a risque de perte de la vue.

1. Rechargez la batterie avant qu'elle ne soit complètement déchargée. Arrêtez toujours l'outil et rechargez la batterie quand vous remarquez que la puissance de l'outil diminue.
2. Ne rechargez jamais une batterie complètement chargée. La surcharge réduit la durée de service de la batterie.
3. Rechargez la batterie à une température ambiante comprise entre 10°C et 40°C (50°F - 104°F). Si la batterie est chaude, laissez-la refroidir avant de la recharger.
4. Rechargez la batterie si vous ne l'utilisez pas pendant une période prolongée (plus de six mois).

CONSERVEZ CE MODE D'EMPLOI.

⚠ ATTENTION : Utilisez uniquement des batteries Makita d'origine.

L'utilisation de batteries autres que les batteries d'origine Makita ou de batteries qui ont été modifiées peut entraîner l'explosion de la batterie et provoquer des incendies, blessures et autres dommages. Cela annulerait également la garantie de Makita s'appliquant à l'outil Makita et au chargeur.

Conseils pour obtenir la durée de service maximale de la batterie

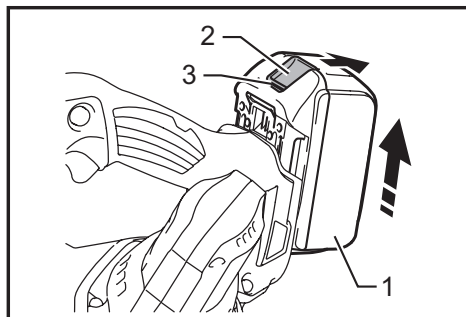
1. Rechargez la batterie avant qu'elle ne soit complètement déchargée. Arrêtez toujours l'outil et rechargez la batterie quand vous remarquez que la puissance de l'outil diminue.
2. Ne rechargez jamais une batterie complètement chargée. La surcharge réduit la durée de service de la batterie.
3. Rechargez la batterie à une température ambiante comprise entre 10°C et 40°C (50°F - 104°F). Si la batterie est chaude, laissez-la refroidir avant de la recharger.
4. Rechargez la batterie si vous ne l'utilisez pas pendant une période prolongée (plus de six mois).

DESCRIPTION DU FONCTIONNEMENT

⚠ ATTENTION :

- Assurez-vous toujours que l'outil est hors tension et que sa batterie est retirée avant de l'ajuster ou de vérifier son fonctionnement.

Installation ou retrait de la batterie



► 1. Batterie 2. Bouton 3. Indicateur rouge

⚠ ATTENTION :

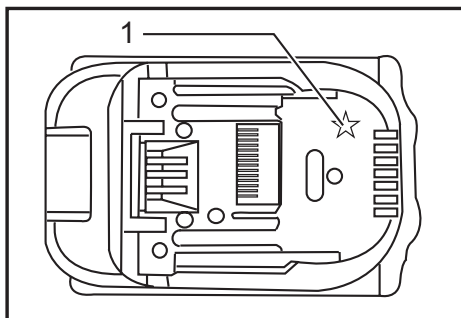
- Mettez toujours l'appareil hors tension avant d'installer ou de retirer la batterie.
- **Tenez fermement l'outil et la batterie lors de l'installation ou du retrait de cette dernière.** Sinon, l'outil et la batterie pourraient vous glisser des mains, ce qui risque d'endommager l'outil et la batterie, ou encore de provoquer des blessures.

Pour retirer la batterie, faites-la glisser de l'outil tout en faisant glisser le bouton se trouvant à l'avant. Pour installer la batterie, alignez sa languette sur la rainure pratiquée dans le boîtier, et glissez la batterie en place. Insérez-la à fond jusqu'à ce que vous entendiez un clic. Si vous pouvez voir l'indicateur rouge situé sur le dessus du bouton, la batterie n'est pas complètement verrouillée.

⚠ ATTENTION :

- Installez toujours la batterie à fond jusqu'à ce que vous ne puissiez plus voir l'indicateur rouge. Dans le cas contraire, elle pourrait tomber de l'outil et entraîner des blessures.
- Ne forcez pas sur la batterie pour l'installer. Si la batterie ne glisse pas facilement, c'est qu'elle n'est pas insérée correctement.

Système de protection de la batterie (batterie lithium-ion marquée d'une étoile)



► 1. Étoile

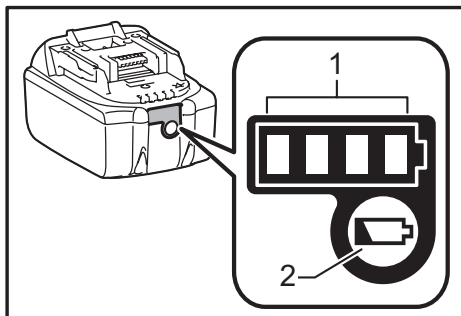
Les batteries lithium-ion marquées d'une étoile sont équipées d'un système de protection. Ce système coupe automatiquement l'alimentation de l'outil pour augmenter la durée de vie de la batterie.

L'outil s'arrête automatiquement pendant l'utilisation lorsque l'outil et/ou la batterie sont dans l'une des situations suivantes :

- **En surcharge :**
L'outil est utilisé d'une manière entraînant une consommation anormale de courant. Dans cette situation, relâchez la gâchette et arrêtez l'activité qui entraîne une surcharge de l'outil. Puis appuyez de nouveau sur la gâchette pour redémarrer. Si l'outil ne démarre pas, la batterie est en surchauffe. Dans cette situation, laissez refroidir la batterie avant d'appuyer de nouveau sur la gâchette.
- **Tension de la batterie faible :**
La capacité restante de la batterie est trop faible pour que l'outil puisse fonctionner. Dans cette situation, retirez et rechargez la batterie.

Affiche la capacité restante de la batterie

(Uniquement pour les batteries dont le numéro de modèle se termine par « B ».)



► 1. Témoins 2. Bouton CHECK

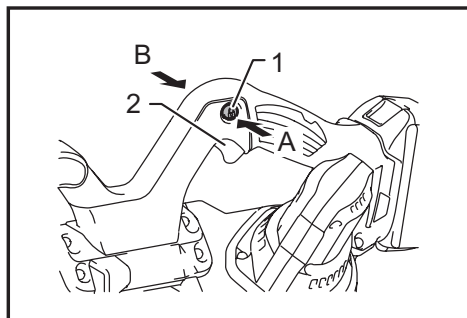
Appuyez sur le bouton de vérification sur la batterie pour afficher la capacité résiduelle de la batterie. Les témoins s'allument pendant quelques secondes.

Témoins			Capacité résiduelle
Allumé	ARRÊT	Clignotement	
■	■	■	75 % à 100 %
■	■	□	50 % à 75 %
■	□	□	25 % à 50 %
■	□	□	0 % à 25 %
▬	□	□	Chargez la batterie.
■	■	□	La batterie peut avoir présenté un défaut de fonctionnement.
□	□	■	

NOTE :

- Selon les conditions d'utilisation et la température ambiante, il est possible que la capacité relevée soit légèrement différente par rapport à la capacité réelle.

Interrupteur



► 1. Bouton de verrouillage 2. Gâchette

⚠ ATTENTION :

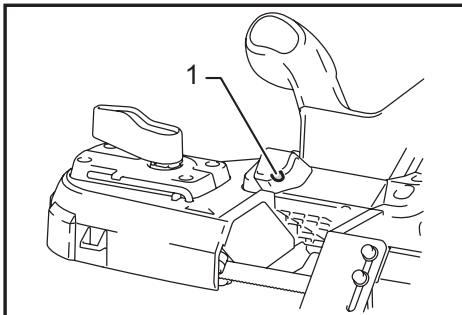
- Avant d'installer la batterie dans l'outil, vérifiez toujours si la gâchette fonctionne correctement et si elle revient en position « OFF » quand vous la relâchez.

Le bouton de verrouillage est fourni pour prévenir la pression accidentelle sur la gâchette. Pour faire démarrer l'outil, appuyez sur le bouton de verrouillage du côté B puis sur la gâchette. Pour arrêter l'outil, relâchez la gâchette. Lorsque vous avez terminé de l'utiliser, appuyez toujours sur le bouton de verrouillage pour qu'il soit du côté A.

Allumage de la lampe

⚠ ATTENTION :

- Évitez de regarder directement le faisceau lumineux ou sa source.



► 1. Lampe

Tirez sur la gâchette pour allumer la lampe. La lampe demeure allumée tant que la gâchette n'est pas libérée. La lampe s'éteint juste après le relâchement de la gâchette.

AVIS :

- Évitez de faire subir des chocs à la lampe. Cela risquerait de l'endommager ou de réduire sa durée de service.
- Utilisez un chiffon sec pour essuyer la saleté qui recouvre la lentille de la lampe. Prenez garde de rayer la lentille de la lampe, pour éviter une diminution de l'éclairage.
- Ne pas utiliser de diluant ou d'essence pour nettoyer la lampe. De tels produits solvants risqueraient de l'endommager.

ASSEMBLAGE

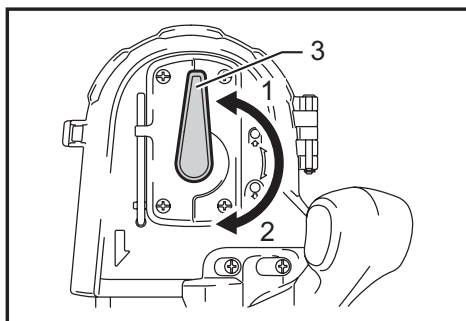
⚠ ATTENTION :

- Assurez-vous toujours que l'outil est hors tension et que sa batterie est retirée avant d'effectuer tout travail dessus.

Installation ou retrait de la lame

⚠ ATTENTION :

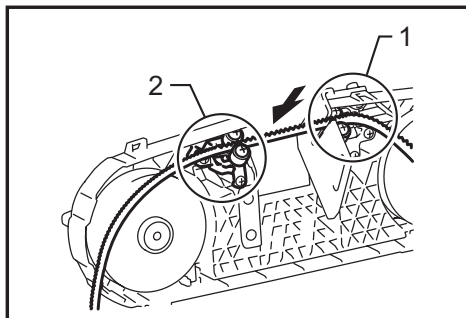
- La lame risque de glisser ou de se détacher de manière inattendue s'il y a de l'huile dessus. Essuyez tout excès d'huile avec un chiffon avant d'installer la lame.
- Portez toujours des gants de protection lorsque vous manipulez la lame.
- Faites très attention lorsque vous manipulez la lame, pour éviter de vous couper avec le bord coupant de ses dents.
- Tenez la lame éloignée de votre corps lorsque vous vérifiez son mouvement.
- Lorsque vous tournez le levier de serrage de la lame dans le sens des aiguilles d'une montre pour réduire la tension de la lame, pointez l'outil vers le bas puisque la lame peut se détacher de manière inattendue.



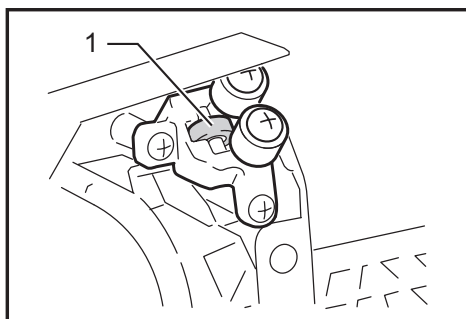
► 1. Serrer 2. Desserrer 3. Levier

Pour installer la lame :

1. Tournez le levier de serrage de la lame dans le sens des aiguilles d'une montre jusqu'à ce qu'il s'arrête, pour desserrer le disque.
2. Respectez le sens des flèches indiquées sur la lame et les disques.

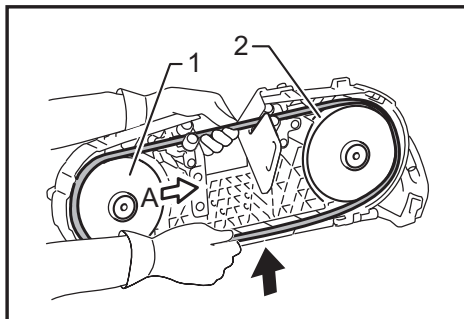


► 1. Support inférieur 2. Support supérieur



► 1. Palier inférieur

3. Insérez le côté non dentelé de la lame dans les supports inférieur et supérieur. Assurez-vous que la lame insérée dans les supports inférieur et supérieur touche les paliers inférieurs.



► 1. Meule 2. Bandage de caoutchouc

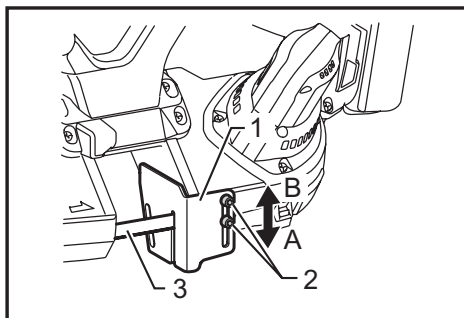
4. En appuyant au centre de la lame, positionnez celle-ci autour d'un disque. Cela sera plus simple si vous déplacez le disque vers le côté A.
5. Positionnez la lame sur un autre disque de la même façon.
6. Placez le bord de la lame sur le bandage de caoutchouc.
7. Maintenez la lame en place et tournez le levier de serrage de la lame dans le sens inverse des aiguilles d'une montre jusqu'à ce qu'il s'arrête. Cela applique une tension adaptée sur la lame.

Assurez-vous que la lame est correctement positionnée autour des disques.

Démarrez et arrêtez l'outil deux ou trois fois pour assurer que la lame tourne bien sur les disques.

Pour retirer la lame, suivez la procédure de pose en sens inverse.

Ajustement de la position de la plaque de blocage

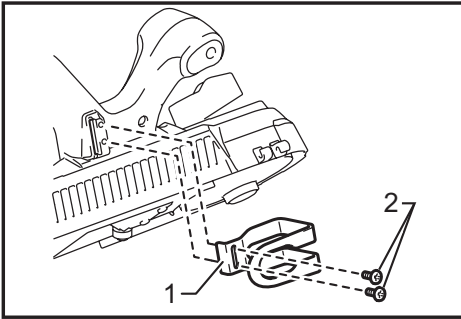


► 1. Plaque de butée 2. Vis 3. Fer

Pour une utilisation normale, faites sortir la plaque de blocage complètement du côté A.

Si la plaque de blocage frappe contre les obstacles tels que les murs à la fin d'une coupe, desserrez les deux vis et glissez la plaque du côté B indiqué sur la figure. Après avoir glissé la plaque de blocage, immobilisez-la en serrant fermement les deux vis.

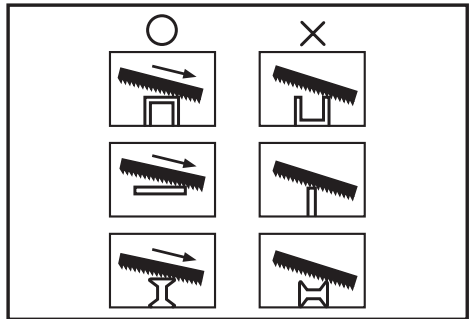
Crochet (accessoire en option)



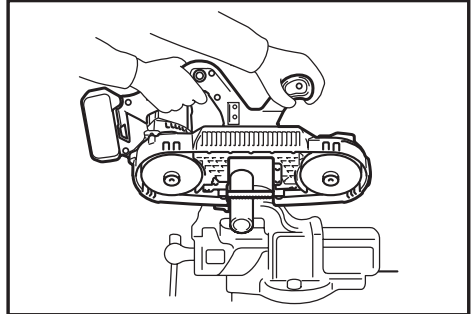
► 1. Crochet 2. Vis

Le crochet permet de suspendre l'outil. Suspendez l'outil à un étau à tube ou à une autre structure stable adaptée.

Pour installer le crochet, positionnez-le le long de la rainure et serrez-le avec deux vis.



Sélectionnez la position de coupe appropriée pour votre pièce en vous reportant à la figure.



Maintenez l'outil à deux mains, comme sur l'illustration. Avant de démarrer l'outil, assurez-vous que la plaque de blocage est en contact avec la pièce et que la lame est éloignée de celle-ci.

Mettez l'outil sous tension et attendez que la lame ait atteint sa pleine vitesse. Abaissez doucement la lame dans la ligne de coupe. Le propre poids de l'outil ou une légère pression suffira pour assurer une pression adéquate pour la coupe. Ne forcez pas l'outil.

À la fin de la coupe, relâchez la pression et soulevez légèrement l'outil pour qu'il ne tombe pas sur la pièce.

AVIS :

- L'application d'une pression excessive sur l'outil ou la torsion de la lame peut entraîner une coupe en biseau ou l'endommagement de la lame.
- Lorsque la lame doit demeurer inutilisée pour une période prolongée, retirez-la de l'outil.
- Si l'outil est utilisé de manière continue jusqu'à ce que la batterie soit déchargée, laissez-le reposer 15 minutes avant de poursuivre l'opération avec une batterie fraîche.

Lubrifiant de coupe

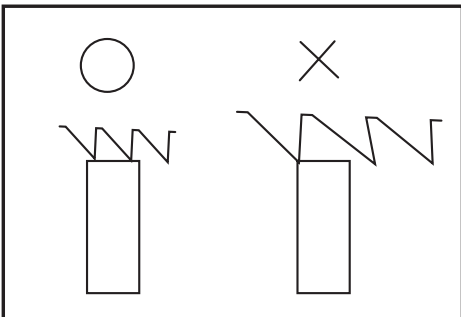
ATTENTION :

- Ne jamais utiliser d'huile de coupe ni appliquer une quantité excessive de cire sur la lame. La lame risquerait de glisser ou de se détacher de manière inattendue.
- N'utilisez aucune cire à coupe lorsque vous coupez de la fonte.

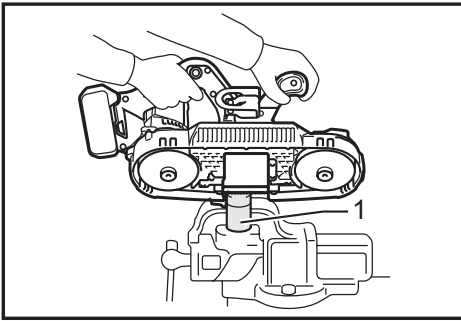
UTILISATION

ATTENTION :

- **Tenez toujours les poignées avant et arrière. Ne touchez jamais le corps de l'outil ou les protections.** À ces emplacements, vos mains pourraient glisser et entrer en contact avec la lame. Le contact avec la lame risque de provoquer des blessures.
- Assurez-vous de maintenir fermement l'outil lors de sa mise sous ou hors tension ou lors d'une tâche de coupe. Dans le cas contraire, l'outil pourrait tomber et provoquer des blessures.



Pour une coupe stable, laissez toujours au moins deux dents dans la coupe.



► 1. Cire à coupe

Lors de la coupe de métal, utilisez de la cire à coupe Makita comme lubrifiant de coupe. Pour appliquer la cire à coupe sur les dents de la lame, retirez le couvercle de la cire à coupe, démarrez l'outil et coupez dans la cire à coupe, comme indiqué sur l'illustration.

ENTRETIEN

⚠ ATTENTION :

- Assurez-vous toujours que l'outil est hors tension et que la batterie est retirée avant d'y effectuer tout travail d'inspection ou d'entretien.

Nettoyage

⚠ ATTENTION :

- N'utilisez jamais d'essence, de benzine, de solvant, d'alcool ou d'autres produits similaires. Une décoloration, une déformation, ou la formation de fissures peuvent en découler.
- La lame risque de glisser et de se détacher de manière inattendue s'il y a de la cire ou des copeaux sur les bandages. Utilisez un chiffon sec pour retirer la cire et les copeaux des bandages.

Après l'utilisation, retirez la cire, les copeaux et la poussière de l'outil, des bandages de disque et de la lame.

Remplacement des bandages de disque

Remplacez les bandages lorsque la lame glisse ou ne se comporte pas correctement en raison de l'usure des bandages.

Pour maintenir la SÉCURITÉ et la FIABILITÉ du produit, les réparations, tout autre travail d'entretien ou de réglage doivent être effectués dans un centre de service Makita agréé ou un centre de service de l'usine Makita, exclusivement avec des pièces de rechange Makita.

ACCESSOIRES EN OPTION

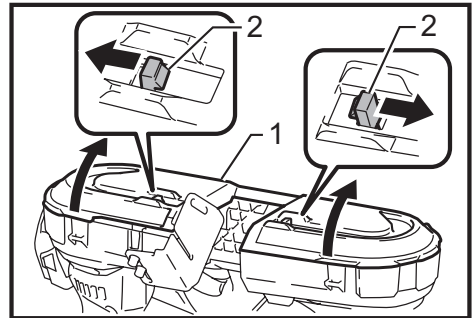
⚠ ATTENTION :

- Ces accessoires ou pièces complémentaires sont recommandés pour l'utilisation avec l'outil Makita spécifié dans ce mode d'emploi. L'utilisation de tout autre accessoire ou pièce complémentaire peut comporter un risque de blessure. N'utilisez les accessoires ou pièces qu'aux fins auxquelles ils ont été conçus.

Si vous désirez obtenir plus de détails concernant ces accessoires, veuillez contacter le centre de service après-vente Makita le plus près.

- Chargeur et batterie authentiques Makita
- Lames de scie à ruban
- Clé hexagonale 4
- Cire à coupe
- Crochet
- Capot du disque

AVIS : Lors de l'ouverture du capot du disque, ouvrez et dégagez les deux crochets simultanément. L'ouverture d'un seul crochet peut entraîner la fissure du capot du disque.



► 1. Capot de meule 2. Crochet

NOTE :

- Certains éléments de la liste peuvent être inclus avec l'outil comme accessoires standard. Ils peuvent varier suivant les pays.

GARANTIE LIMITÉE MAKITA

Pour les conditions de garantie en vigueur qui s'appliquent à ce produit, veuillez vous reporter à la feuille de garantie en annexe. Si la feuille de garantie en annexe n'est pas disponible, reportez-vous aux détails de la garantie présentés sur le site Web de votre pays, ci-dessous.

États-Unis d'Amérique: www.makitatools.com

Canada: www.makita.ca

Autres pays: www.makita.com

ESPECIFICACIONES

Modelo		DPB181	
Capacidad máxima de corte	Pieza de trabajo redonda	64 mm (2-1/2") de diámetro	
	Pieza de trabajo rectangular	64 mm x 64 mm (2-1/2" x 2-1/2")	
Velocidad del disco		3,2 m/s (630 ft/min)	
Tamaño del disco	Largo	835 mm (32-7/8")	
	Ancho	13 mm (1/2")	
	Grosor	0,5 mm (0,020")	
Dimensiones generales (La x An x Al) sin la cubierta del disco		468 mm x 197 mm x 233 mm (18-1/2" x 7-3/4" x 9-1/8")	
Peso neto sin la cubierta del disco		3,2 kg (7,1 lbs)	3,4 kg (7,5 lbs)
Tensión nominal		18 V c.c.	
Cartuchos de batería estándar		BL1815N/ BL1820/ BL1820B	BL1830/ BL1830B/ BL1840/ BL1840B/ BL1850/ BL1850B/ BL1860B

- Debido a nuestro programa continuo de investigación y desarrollo, las especificaciones aquí dadas están sujetas a cambios sin previo aviso.
- Las especificaciones y el cartucho de la batería pueden variar de país a país.
- Peso de acuerdo al procedimiento de EPTA-01/2003 incluyendo el cartucho de la batería

Advertencias de seguridad generales para herramientas eléctricas

⚠️ ADVERTENCIA: lea todas las advertencias de seguridad e instrucciones. Si no sigue todas las advertencias e instrucciones indicadas a continuación, podrá ocasionar una descarga eléctrica, un incendio y/o lesiones graves.

Guarde todas las advertencias e instrucciones para su futura referencia.

El término "herramienta eléctrica" se refiere, en todas las advertencias que aparecen a continuación, a su herramienta eléctrica de funcionamiento con conexión a la red eléctrica (con cableado eléctrico) o herramienta eléctrica de funcionamiento a batería (inalámbrica).

Seguridad en el área de trabajo

1. **Mantenga el área de trabajo limpia y bien iluminada.** Las áreas oscuras o desordenadas son propensas a accidentes.
2. **No utilice las herramientas eléctricas en atmósferas explosivas, tal como en la presencia de líquidos, gases o polvo inflamables.** Las herramientas eléctricas crean chispas que pueden prender fuego al polvo o los humos.
3. **Mantenga a los niños y curiosos alejados mientras utiliza una herramienta eléctrica.** Las distracciones le pueden hacer perder el control.

Seguridad eléctrica

4. **Las clavijas de conexión de las herramientas eléctricas deberán encajar perfectamente en la toma de corriente. No modifique nunca la clavija de conexión de ninguna forma. No utilice ninguna clavija adaptadora con herramientas eléctricas que tengan conexión a tierra (puesta a tierra).** La utilización de clavijas no modificadas y que encajen perfectamente en la toma de corriente reducirá el riesgo de que se produzca una descarga eléctrica.

5. **Evite tocar con el cuerpo superficies conectadas a tierra o puestas a tierra tales como tubos, radiadores, cocinas y refrigeradores.** Si su cuerpo es puesto a tierra o conectado a tierra existirá un mayor riesgo de que sufra una descarga eléctrica.
6. **No exponga las herramientas eléctricas a la lluvia ni a condiciones húmedas.** La entrada de agua en una herramienta eléctrica aumentará el riesgo de que se produzca una descarga eléctrica.
7. **No jale el cable. Nunca utilice el cable para transportar, jalar o desconectar la herramienta eléctrica. Mantenga el cable alejado del calor, aceite, objetos cortantes o piezas móviles.** Los cables dañados o atrapados aumentan el riesgo de sufrir una descarga eléctrica.
8. **Cuando utilice una herramienta eléctrica en exteriores, utilice un cable de extensión apropiado para uso en exteriores.** La utilización de un cable apropiado para uso en exteriores reducirá el riesgo de que se produzca una descarga eléctrica.
9. **Si no es posible evitar usar una herramienta eléctrica en condiciones húmedas, utilice un alimentador protegido con interruptor de circuito de falla en tierra (ICFT).** El uso de un ICFT reduce el riesgo de descarga eléctrica.

Seguridad personal

10. **Manténgase alerta, preste atención a lo que está haciendo y utilice su sentido común cuando opere una herramienta eléctrica. No utilice la herramienta eléctrica cuando esté cansado o bajo la influencia de drogas, alcohol o medicamentos.** Un momento de distracción mientras opera la máquina puede dar como resultado heridas personales graves.
11. **Use equipo de protección personal. Póngase siempre protección para los ojos.** El equipo protector tal como máscara contra el polvo, zapatos de seguridad antiderrapantes, casco rígido y protección para oídos utilizado en las condiciones apropiadas reducirá las heridas personales.

12. **Impida el encendido accidental. Asegúrese de que el interruptor esté en la posición de apagado antes de conectar a la alimentación eléctrica y/o de colocar el cartucho de la batería, así como al levantar o cargar la herramienta.** Cargar las herramientas eléctricas con su dedo en el interruptor o enchufarlas con el interruptor encendido hace que los accidentes sean propensos.
13. **Retire cualquier llave de ajuste o llave de apriete antes de encender la herramienta.** Una llave de ajuste o llave de apriete que haya sido dejada puesta en una parte giratoria de la herramienta eléctrica podrá resultar en heridas personales.
14. **No utilice la herramienta donde no alcance. Mantenga los pies sobre suelo firme y el equilibrio en todo momento.** Esto permite un mejor control de la herramienta eléctrica en situaciones inesperadas.
15. **Use vestimenta apropiada. No use ropas sueltas ni joyas. Mantenga el cabello, la ropa y los guantes alejados de las piezas móviles.** Las prendas de vestir holgadas, las joyas y el cabello suelto podrían engancharse en estas piezas móviles.
16. **Si dispone de dispositivos para la conexión de equipos de extracción y recolección de polvo, asegúrese de conectarlos y utilizarlos debidamente.** La utilización de estos dispositivos reduce los riesgos relacionados con el polvo.

Mantenimiento y uso de la herramienta eléctrica

17. **No fuerce la herramienta eléctrica. Utilice la herramienta eléctrica correcta para su aplicación.** La herramienta eléctrica adecuada hará un trabajo mejor a la velocidad para la que ha sido fabricada.
18. **No utilice la herramienta eléctrica si el interruptor no la enciende y apaga.** Cualquier herramienta eléctrica que no pueda ser controlada con el interruptor es peligrosa y debe ser reemplazada.
19. **Desconecte la clavija de la fuente de energía y/o la batería de la herramienta eléctrica antes de realizar ajustes, cambiar accesorios o guardar las herramientas eléctricas.** Dichas medidas de seguridad preventivas reducen el riesgo de que la herramienta se inicie accidentalmente.
20. **Guarde la herramienta eléctrica que no use fuera del alcance de los niños y no permita que las personas que no están familiarizadas con ella o con las instrucciones la operen.** Las herramientas eléctricas son peligrosas en manos de personas que no saben operarlas.
21. **Realice el mantenimiento a las herramientas eléctricas. Compruebe que no haya partes móviles desalineadas o estancadas, piezas rotas y cualquier otra condición que pueda afectar al funcionamiento de la herramienta eléctrica. Si la herramienta eléctrica está dañada, haga que se la reparen antes de utilizarla.** Muchos accidentes son ocasionados por herramientas eléctricas con un mal mantenimiento.
22. **Mantenga las herramientas de corte limpias y filosas.** Si recibe un mantenimiento adecuado y tiene los bordes afilados, es probable que la herramienta se atasque menos y sea más fácil controlarla.

23. **Utilice la herramienta eléctrica, así como accesorios, piezas, brocas, etc. de acuerdo con estas instrucciones y de la manera establecida para cada tipo de unidad en particular; tenga en cuenta las condiciones laborales y el trabajo a realizar.** Si utiliza la herramienta eléctrica para realizar operaciones distintas de las indicadas, podrá presentarse una situación peligrosa.

Uso y cuidado de la herramienta a batería

24. **Realice la recarga sólo con el cargador especificado por el fabricante.** Un cargador que es adecuado para un solo tipo de batería puede generar riesgo de incendio al ser utilizado con otra batería.
25. **Utilice las herramientas eléctricas solamente con las baterías designadas específicamente para ellas.** La utilización de cualquier otra batería puede crear un riesgo de heridas o incendio.
26. **Cuando no se esté usando el cartucho de la batería, manténgalo alejado de otros objetos metálicos, como sujetapapeles (clips), monedas, llaves, clavos, tornillos u otros objetos pequeños de metal los cuales pueden actuar creando una conexión entre las terminales de la batería.** Cerrar el circuito de las terminales de la batería puede causar quemaduras o incendios.
27. **En condiciones abusivas, podrá escapar líquido de la batería; evite tocarlo. Si lo toca accidentalmente, enjuague con agua. Si hay contacto del líquido con los ojos, acuda por ayuda médica.** Puede que el líquido expulsado de la batería cause irritación o quemaduras.

Servicio de mantenimiento

28. **Haga que una persona calificada repare la herramienta utilizando sólo piezas de repuesto idénticas.** Esto asegura que se mantenga la seguridad de la herramienta eléctrica.
29. **Siga las instrucciones para la lubricación y cambio de accesorios.**
30. **Mantenga las agarraderas secas, limpias y sin aceite o grasa.**

ADVERTENCIAS DE SEGURIDAD PARA LA SIERRA DE BANDA PORTÁTIL INALÁMBRICA

1. **Sujete la herramienta eléctrica por las superficies de sujeción aisladas, al realizar una operación en la que el accesorio de corte pueda entrar en contacto con cables ocultos.** Si el accesorio de corte entra en contacto con un cable con corriente, las piezas metálicas expuestas de la herramienta eléctrica se electrificarán también y el operador puede recibir una descarga.
2. **Use solo los discos que se indican en "ESPECIFICACIONES".**
3. **Inspeccione el disco cuidadosamente para ver si tiene grietas o daños antes de comenzar la operación. Reemplace el disco inmediatamente si está agrietada o dañada.**
4. **Asegure firmemente la pieza de trabajo. Al cortar varias piezas de trabajo juntas, asegúrese de que todas ellas estén firmemente juntas antes de cortar.**
5. **Si corta piezas de trabajo cubiertas de aceite, la hoja puede salirse de forma inesperada. Limpie todo exceso de aceite de las piezas de trabajo antes de cortarlas.**

6. Nunca utilice aceite de corte como lubricante para cortar. Utilice solamente la cera para cortar de Makita.
 7. No use guantes durante la operación.
 8. Sujete la herramienta firmemente con ambas manos.
 9. Mantenga las manos alejadas de las piezas giratorias.
 10. Al cortar metal, tenga cuidado con los trocitos calientes que salgan volando.
 11. No deje la herramienta en marcha sin supervisión.
 12. No toque la cuchilla o la pieza de trabajo inmediatamente después de la operación; estarán muy calientes y podrían quemarle la piel.
5. No cortocircuite el cartucho de batería:
 - (1) No toque las terminales con ningún material conductor.
 - (2) Evite guardar el cartucho de batería en un cajón junto con otros objetos metálicos, tales como clavos, monedas, etc.
 - (3) No exponga la batería de cartucho a la lluvia o nieve.

Un corto circuito en la batería puede causar un flujo grande de corriente, sobrecalentamiento, posibles quemaduras y aún descomposturas.

GUARDE ESTAS INSTRUCCIONES.

⚠ADVERTENCIA: NO DEJE que la comodidad o familiaridad con el producto (a base de utilizarlo repetidamente) sustituya la estricta observancia de las normas de seguridad para dicho producto. El MAL USO o el no seguir las normas de seguridad establecidas en este manual de instrucciones puede ocasionar graves lesiones personales.

Símbolos

A continuación se muestran los símbolos utilizados para la herramienta.

V	volts o voltios
— — —	corriente directa o continua
n	velocidad indicada
n ₀	velocidad en vacío o sin carga
... /min r /min	revoluciones o alternaciones por minuto, frecuencia de rotación

INSTRUCCIONES IMPORTANTES DE SEGURIDAD

PARA CARTUCHO DE BATERÍA

1. Antes de utilizar el cartucho de batería, lea todas las instrucciones e indicaciones de precaución sobre (1) el cargador de baterías, (2) la batería, y (3) el producto con el que se utiliza la batería.
2. No desarme el cartucho de batería.
3. Si el tiempo de operación se ha acortado en exceso, deje de operar de inmediato. Podría correrse el riesgo de sobrecalentamiento, posibles quemaduras e incluso explosión.
4. En caso de que ingresen electrolitos en sus ojos, enjuáguelos bien con agua limpia y consulte de inmediato a un médico. Podría perder la visión.

6. No guarde la herramienta ni el cartucho de batería en lugares donde la temperatura pueda alcanzar o exceder los 50°C (122°F).
7. Nunca incinere el cartucho de batería incluso en el caso de que esté dañado seriamente o ya no sirva en absoluto. El cartucho de batería puede explotar si se tira al fuego.
8. Tenga cuidado de no dejar caer ni golpear el cartucho de batería.
9. No use una batería dañada.
10. Las baterías incluidas están sujetas a cumplir con los requisitos de la Legislación de Insumos Peligrosos.

Para transportes comerciales, p.ej. por entidades terceras como agencias de envío de paquetería, se requiere de un empaçado con el etiquetado correspondiente. Para la preparación del artículo a ser enviado, se requiere de la asesoría de un experto con sustancias peligrosas. Por favor también asegúrese de cumplir con las posibles normas nacionales detalladas. Cubra con cinta adhesiva o coloque una barrera en los contactos que estén expuestos y empaque la batería de tal manera que no pueda moverse dentro del paquete.
11. **Siga las regulaciones locales relacionadas al desecho de las baterías.**

GUARDE ESTAS INSTRUCCIONES.

⚠PRECAUCIÓN: Use solo baterías auténticas de Makita.

El uso de baterías no auténticas de Makita, o baterías que hayan sido alteradas, puede que resulte en la explosión de la batería, originando un incendio, así como lesiones al usuario y daños. También anulará la garantía de Makita para la herramienta y el cargador Makita.

Consejos para alargar al máximo la vida útil de la batería

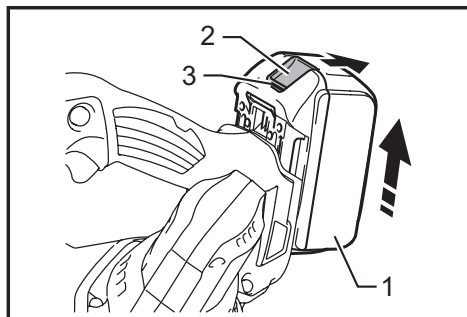
1. Cargue el cartucho de batería antes de que se descargue completamente. Pare siempre la operación y cargue el cartucho de batería cuando note menos potencia en la herramienta.
2. No cargue nunca un cartucho de batería que esté completamente cargado. La sobrecarga acortará la vida de servicio de la batería.
3. Cargue el cartucho de batería a temperatura ambiente de 10°C - 40°C (50°F - 104°F). Si un cartucho de batería está caliente, déjelo enfriar antes de cargarlo.
4. Cargue el cartucho de batería si no lo ha usado por un largo periodo (más de seis meses).

DESCRIPCIÓN DEL FUNCIONAMIENTO

⚠️ PRECAUCIÓN:

- Asegúrese siempre de que la herramienta esté apagada y el cartucho de batería extraído antes de realizar cualquier ajuste o comprobación en la herramienta.

Instalación o desmontaje del cartucho de batería



- 1. Cartucho de batería 2. Botón 3. Indicador rojo

⚠️ PRECAUCIÓN:

- Apague siempre la herramienta antes de colocar o quitar el cartucho de batería.
- **Sujete la herramienta y el cartucho de la batería con firmeza al colocar o quitar el cartucho.** Si no se sujeta con firmeza la herramienta y el cartucho de la batería, puede ocasionar que se resbalen de sus manos resultando en daños a la herramienta y al cartucho, así como lesiones a la persona.

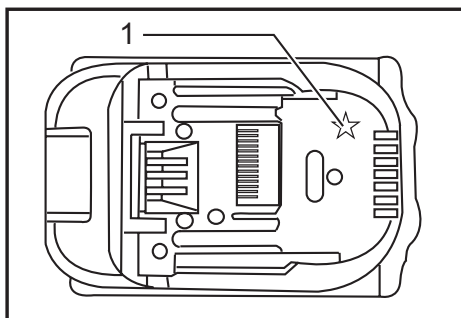
Para quitar el cartucho de batería, deslícelo de la herramienta mientras desliza el botón sobre la parte delantera del cartucho.

Para colocar el cartucho de batería, alinee la lengüeta sobre el cartucho de batería con la ranura en la carcasa y deslice en su lugar. Inserte por completo hasta que se fije en su lugar con un pequeño clic. Si puede ver el indicador rojo del lado superior del botón, esto indica que no ha quedado fijo por completo.

⚠️ PRECAUCIÓN:

- Introduzca siempre completamente el cartucho de batería hasta que el indicador rojo no pueda verse. Si no, podría accidentalmente salirse de la herramienta y caer al suelo causando una lesión a usted o alguien a su alrededor.
- No instale el cartucho de batería a la fuerza: si el cartucho no se desliza al interior fácilmente, se debe a que no está siendo insertado correctamente.

Sistema de protección de batería (batería de ión de litio con marca de estrella)



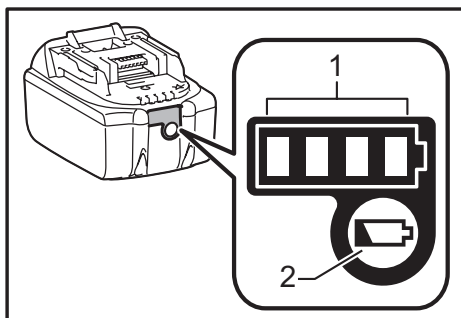
- 1. Marca de estrella

Las baterías de ión de litio con una marca de estrella están equipadas con un sistema de protección. Este sistema corta en forma automática el suministro de energía a la herramienta para prolongar la vida útil de la batería. La herramienta se detendrá automáticamente durante el funcionamiento si la herramienta y/o la batería se someten a una de las siguientes condiciones:

- **Sobrecarga:**
La herramienta se está utilizando de una manera que causa que consuma una cantidad de corriente inusualmente alta. En este caso, libere el gatillo interruptor en la herramienta y detenga la aplicación que causó que la herramienta se sobrecargara. Luego, vuelva a jalar el gatillo interruptor para reanudar el funcionamiento. Si la herramienta no empieza a funcionar, significa que la batería se sobrecalentó. En este caso, espere que la batería se enfríe antes de volver a jalar el gatillo interruptor.
- **Bajo voltaje de la batería:**
La capacidad restante de la batería es demasiado baja y la herramienta no funcionará. En este caso, extraiga la batería y vuelva a cargarla.

Indicación de la capacidad restante de la batería

(Solo para cartuchos de batería con una "B" al final del número de modelo.)



- 1. Luces indicadoras 2. Botón de verificación "CHECK"

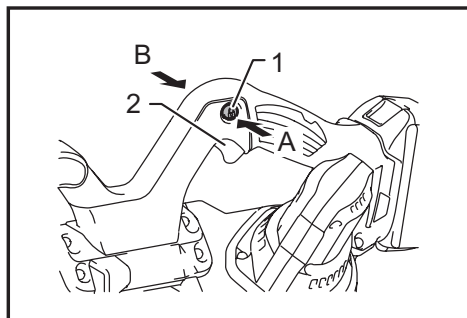
Presione el botón de comprobación en el cartucho de la batería para indicar la capacidad restante de la batería. La luz indicadora se enciende por algunos segundos.

Luces indicadoras			Capacidad restante
Encendido	APAGADO	Intermitencia	
■	□	▧	75% a 100%
■	■	■	
■	■	■	
■	■	□	50% a 75%
■	■	□	25% a 50%
■	□	□	0% a 25%
▧	□	□	Recargue la batería.
■	■	□	Puede que haya un defecto en el funcionamiento de la batería.
□	□	■	

NOTA:

- Dependiendo de las condiciones de uso y de la temperatura ambiental, puede que el nivel indicado difiera ligeramente de la capacidad real de la batería.

Accionamiento del interruptor



► 1. Botón de bloqueo del gatillo 2. Gatillo interruptor

PRECAUCIÓN:

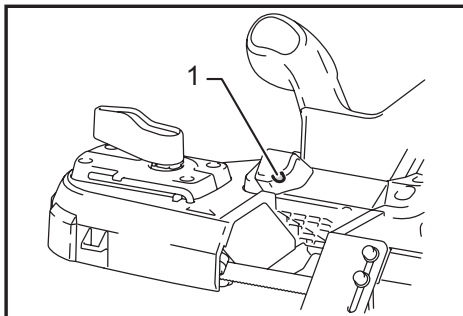
- Antes de colocar el cartucho de la batería, compruebe siempre que el gatillo interruptor se acciona debidamente y que vuelve a la posición de apagado ("OFF") cuando lo suelta.

Para evitar que el gatillo interruptor sea jalado accidentalmente, se cuenta con un botón de bloqueo del gatillo. Para iniciar la herramienta, presione el botón de bloqueo del gatillo del lado B y jale el gatillo interruptor. Suelte el gatillo interruptor para parar la herramienta. Después de utilizar, presione siempre el botón de bloqueo del gatillo del lado A.

Encendido de la luz indicadora

PRECAUCIÓN:

- No mire a la luz ni vea la fuente de luz directamente.



► 1. Lámpara

Jale el gatillo interruptor para encender la lámpara. La luz continúa iluminando mientras se continúe apretando el gatillo. La lámpara se apaga tras liberar el gatillo.

AVISO:

- No golpee la luz indicadora, ya que esto podría causar daños o disminuir la vida útil de ésta.
- Utilice un paño seco para quitar la suciedad de la lente de la lámpara. Tenga cuidado de no rayar la lente de la lámpara, porque podrá disminuir la iluminación.
- No utilice tiner ni gasolina para limpiar la luz indicadora. Estas solventes podrían dañarla.

ENSAMBLE

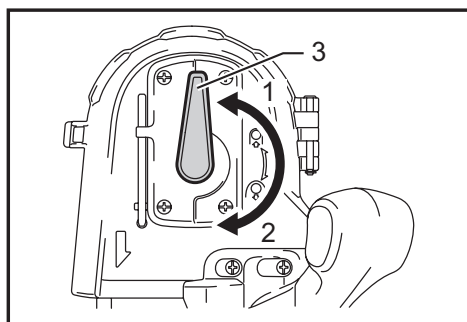
PRECAUCIÓN:

- Asegúrese siempre de que la herramienta esté apagada y el cartucho de batería extraído antes de realizar cualquier trabajo en la misma.

Instalación o extracción de la hoja

PRECAUCIÓN:

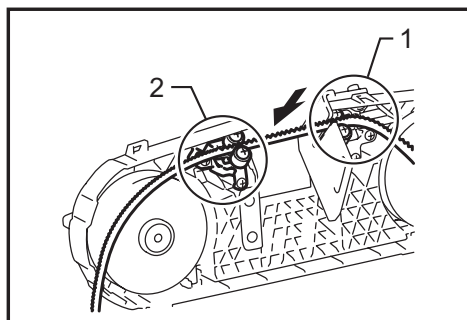
- La presencia de aceite en la hoja puede ocasionar que ésta resbale o se suelte de manera inesperada. Limpie todo exceso de aceite con un paño antes de instalar la hoja.
- Use siempre guantes protectores al manipular la hoja.
- Actúe con precaución al manipular la hoja para evitar cortes por el borde filoso de los dientes de la hoja.
- Mantenga su cuerpo alejado del área de la hoja al comprobar el movimiento de la misma.
- Cuando mueva la palanca de ajuste de la hoja en el sentido de las agujas del reloj para aflojar la tensión de la hoja, apunte la herramienta hacia abajo, ya que podría soltarse inesperadamente.



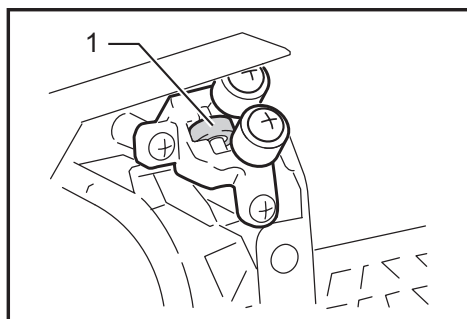
► 1. Apretar 2. Aflojar 3. Palanca

Para instalar la hoja:

1. Gire la palanca de ajuste de la hoja en sentido de las agujas del reloj hasta que se detenga para aflojar la rueda.
2. Coincida la dirección de las flechas en la hoja con la de las ruedas.

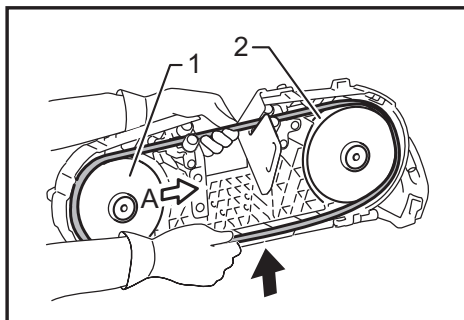


► 1. Soporte inferior 2. Soporte superior



► 1. Balinera inferior

3. Inserte el lado no dentado de la hoja en el sujetador superior y sujetador inferior. Asegúrese que la hoja tanto en el sujetador superior e inferior haga contacto con las balineras inferiores.



► 1. Rueda 2. Rueda de caucho

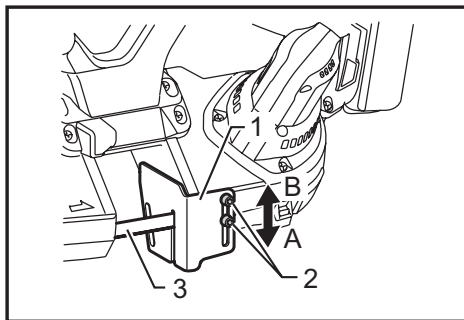
4. Mediante la presión en la sección media de la hoja, posicione la hoja alrededor de una rueda. Mover la rueda hacia el lado A facilita la operación.
5. Posicione la hoja sobre la otra rueda de forma similar.
6. Posicione el borde de la hoja en la rueda de caucho.
7. Sostenga la hoja en su posición y gire la palanca de ajuste de la hoja en sentido contrario a las agujas del reloj hasta que pare. Esto pondrá la tensión apropiada sobre la hoja.

Asegúrese de que la hoja quede correctamente colocada alrededor de las ruedas.

Encienda y apague la herramienta dos o tres veces para asegurarse de que la hoja se desliza adecuadamente por las ruedas.

Para extraer la hoja, invierta los pasos del procedimiento de instalación.

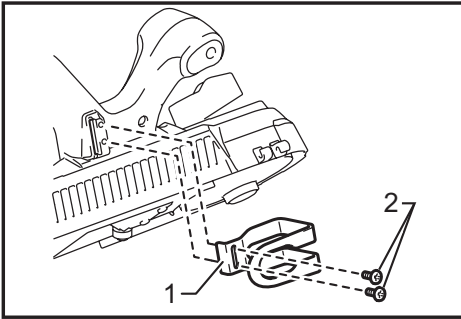
Ajuste la posición de la placa de tope



► 1. Placa de tope 2. Tornillos 3. Hoja de sierra

Durante la normal operación de la herramienta, haga sobresalir por completo la placa de tope hacia el lado A. Cuando la placa de tope choque con obstáculos como una pared o similar al finalizar un corte, afloje dos tornillos y deslícela hacia el lado B que aparece en la figura. Luego de deslizar la placa de tope, asegúrela ajustando con firmeza los dos tornillos.

Gancho (accesorio opcional)



► 1. Gancho 2. Tornillos

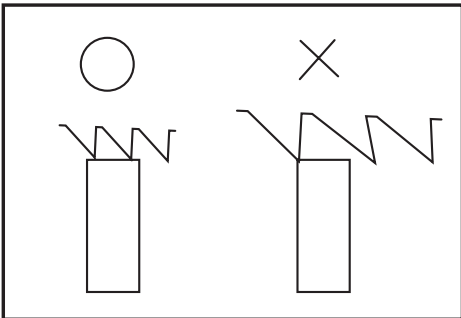
El gancho es útil para colgar la herramienta. Cuelgue la herramienta en el tubo de algún torno o estructura similar estable.

Para instalar el gancho, ajústelo sobre la ranura de su costado y apriételo con los dos tornillos.

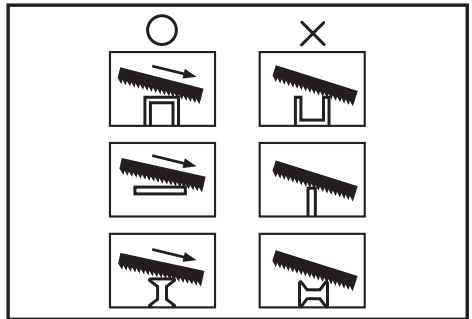
OPERACIÓN

⚠ PRECAUCIÓN:

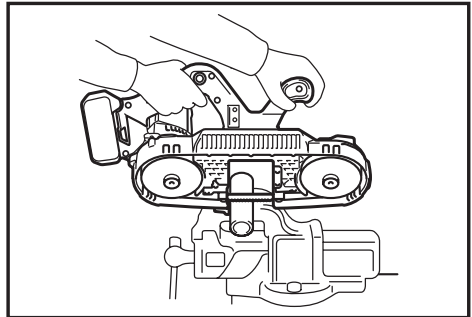
- **Sujete siempre del mango delantero y trasero. Nunca sujete desde el cuerpo de la herramienta o los protectores.** Puede que las manos se tornen resbalosas de estos puntos y entren en contacto con la hoja. El contacto con la hoja podría ocasionar lesiones a la persona.
- Asegúrese de sujetar la herramienta con firmeza al encenderla y apagarla o al realizar operaciones de corte. De lo contrario puede que la herramienta caiga ocasionando lesiones al usuario.



Para un corte estable, conserve siempre al menos dos dientes dentro del corte.



Seleccione la posición apropiada de corte para su pieza de trabajo al referirse a la información que se ilustra en la figura.



Sujete la herramienta con ambas manos como se ilustra en la figura.

Antes de encender la herramienta, asegúrese siempre de que la placa de tope haga contacto con la pieza de trabajo y que la hoja quede despejada de la pieza de trabajo.

Encienda la herramienta y espere hasta que la hoja alcance la velocidad máxima. Baje suavemente la hoja hacia la posición de corte. El peso de la herramienta o la presión leve sobre ésta brindará la presión adecuada para el corte. No force la herramienta.

A medida que llega al final de un corte, libere la presión y levante ligeramente de tal forma que el peso no caiga sobre la pieza de trabajo.

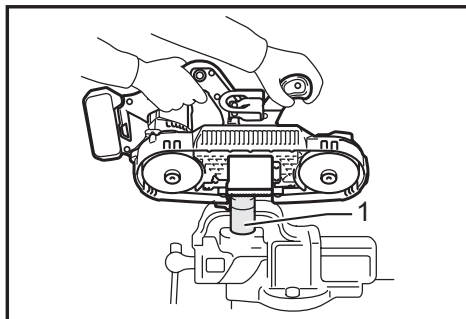
AVISO:

- Si aplica presión excesiva sobre la herramienta o gira la hoja, puede ocasionar un corte bisel o dañar la hoja.
- Cuando no utilice la herramienta durante un largo período de tiempo, extraiga la hoja.
- Si utiliza la herramienta continuamente hasta descargar el cartucho de batería, deje descansar la herramienta durante 15 minutos antes de proceder con una batería fresca.

Lubricante de corte

⚠ PRECAUCIÓN:

- Nunca utilice aceite para cortes ni aplique una cantidad excesiva de cera a la hoja. Si lo hace, la hoja podría resbalar o soltarse inesperadamente.
- Cuando corte hierro fundido, no utilice cera para corte.



► 1. Cera para cuchillas

Al cortar metales, use una cera de corte Makita como lubricante de corte. Para aplicar cera de corte a los dientes de la hoja, quite la tapa de la cera de corte, arranque la herramienta e introduzca en la cera de corte como se ilustra en la figura.

MANTENIMIENTO

⚠ PRECAUCIÓN:

- Asegúrese siempre de que la herramienta esté apagada y el cartucho de batería extraído antes de intentar realizar una inspección o mantenimiento.

Limpieza

⚠ PRECAUCIÓN:

- Nunca use gasolina, bencina, diluyente (tíner), alcohol o sustancias similares. Puede que esto ocasione grietas o descoloramiento.
- La presencia de cera y astillas en la cubierta de la rueda puede provocar el deslizamiento de la hoja y hacer que suelte de manera inesperada. Utilice un paño húmedo para eliminarlas.

Luego del uso, elimine la cera, astillas y polvo de la herramienta, la cubierta de la rueda y la hoja.

Substitución de la cubierta de la rueda

Reemplace los neumáticos cuando la hoja desliza o no ofrece la tracción adecuada a causa de neumáticos muy desgastados.

Para mantener la SEGURIDAD y FIABILIDAD del producto, las reparaciones, y cualquier otra tarea de mantenimiento o ajuste deberán ser realizadas en Centros de Servicio Autorizados por Makita, empleando siempre repuestos Makita.

ACCESORIOS OPCIONALES

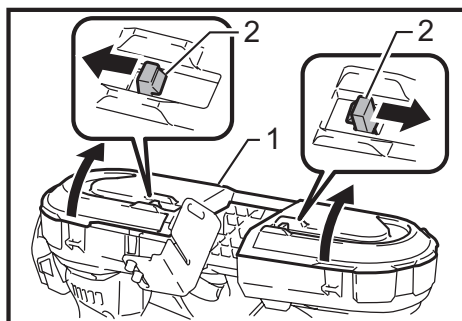
⚠ PRECAUCIÓN:

- Estos accesorios o aditamentos (incluidos o no) están recomendados para utilizar con su herramienta Makita especificada en este manual. El empleo de cualesquiera otros accesorios o acoplamientos conllevará un riesgo de sufrir heridas personales. Utilice los accesorios o acoplamientos solamente para su fin establecido.

Si necesita cualquier ayuda para más detalles en relación con estos accesorios, pregunte a su centro de servicio Makita local.

- Batería y cargador originales de Makita
- Hojas de sierra de banda
- Llave hexagonal 4
- Cera para corte
- Gancho
- Cubierta de la rueda

AVISO: Al abrir la cubierta de la rueda, abra y suelte ambos ganchos al mismo tiempo. Abrir solo uno de los ganchos puede ocasionar una grieta en la cubierta de la rueda.



► 1. Cubierta de la rueda 2. Gancho

NOTA:

- Algunos de los artículos en la lista puede que vengan junto con el paquete de la herramienta como accesorios incluidos. Puede que estos accesorios varíen de país a país.

GARANTÍA LIMITADA DE MAKITA

Ésta Garantía no aplica para México

Consulte la hoja de la garantía anexa para ver los términos más vigentes de la garantía aplicable a este producto. En caso de no disponer de esta hoja de garantía anexa, consulte los detalles sobre la garantía descritos en el sitio web de su país respectivo indicado a continuación.

Estados Unidos de América: www.makitatools.com

Canadá: www.makita.ca

Otros países: www.makita.com

< USA only >

WARNING

Some dust created by power sanding, sawing, grinding, drilling, and other construction activities contains chemicals known to the State of California to cause cancer, birth defects or other reproductive harm. Some examples of these chemicals are:

- lead from lead-based paints,
- crystalline silica from bricks and cement and other masonry products, and
- arsenic and chromium from chemically-treated lumber.

Your risk from these exposures varies, depending on how often you do this type of work. To reduce your exposure to these chemicals: work in a well ventilated area, and work with approved safety equipment, such as those dust masks that are specially designed to filter out microscopic particles.

< Sólo en los Estados Unidos >

ADVERTENCIA

Algunos polvos creados por el lijado, aserrado, esmerilado, taladrado y otras actividades de la construcción contienen sustancias químicas reconocidas por el Estado de California como causantes de cáncer, defectos de nacimiento y otros peligros de reproducción. Algunos ejemplos de estos productos químicos son:

- plomo de pinturas a base de plomo,
- sílice cristalino de ladrillos y cemento y otros productos de albañilería, y
- arsénico y cromo de maderas tratadas químicamente.

El riesgo al que se expone varía, dependiendo de la frecuencia con la que realice este tipo de trabajo. Para reducir la exposición a estos productos químicos: trabaje en un área bien ventilada y póngase el equipo de seguridad indicado, tal como las máscaras contra polvo que están especialmente diseñadas para filtrar partículas microscópicas.

Makita Corporation

3-11-8, Sumiyoshi-cho,
Anjo, Aichi 446-8502 Japan

www.makita.com

885231G923
DPB181-1
EN, FRCA, ESMX
20180910